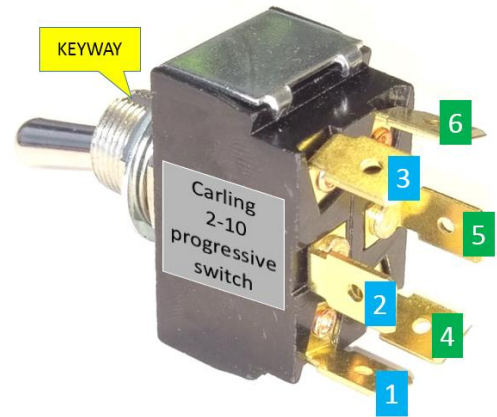
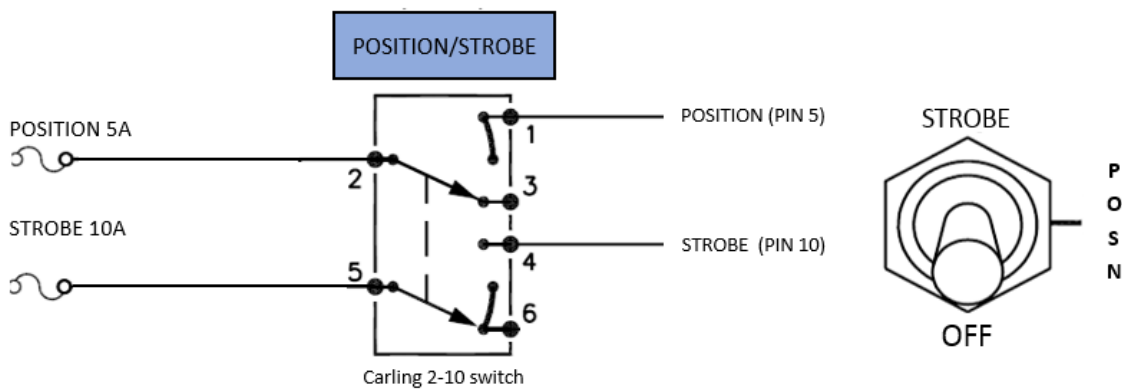


## Carling Switches

Below are some diagrams that you may find useful for wiring the Carling Technologies 2-10 progressive switch.



To combine the position light and strobe functions into the one switch:



Or, to control the strobe and wigwag function:

